

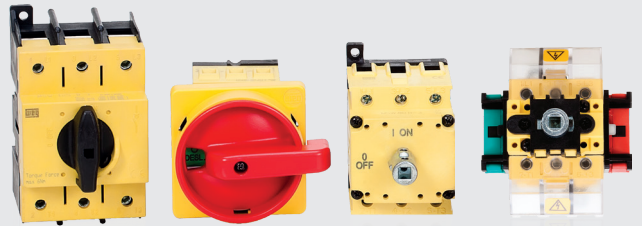
MSW Series - Disconnect Switches



Compact Switching Solutions

MSW Series Disconnect Switches

Compact switching solutions for AC power applications. WEG offers IEC 60947-3 and UL508 MSW series disconnect switches available in 3 poles up to 100A for panel door mounting and up to 160A for base mounting. The complete line of accessories makes MSW switches suitable for a variety of industrial applications.



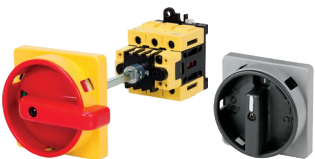
UL File No. E189202

Standard Features

- Suitable as motor disconnect
- Standard complete kits available
- Panel door mounting (disconnect switch + handle red/yellow)
- Base mounting (disconnect switch + handle red/yellow + shaft)
- Screws or DIN rail mountable
- Through-the-door or direct mount handles

Wide Range of Accessories

- Rotary handles (red/yellow or black/gray)
- Rotary handles + shaft (85mm/300mm)
- Shafts (185mm/300mm)
- Auxiliary contact blocks (1NO and 1NC)
- Neutral pole contact blocks (1NO early make)
- IP20 terminal covers



Handles and Shaft



Auxiliary Contacts



Shafts



Terminal Cover

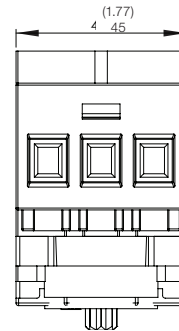
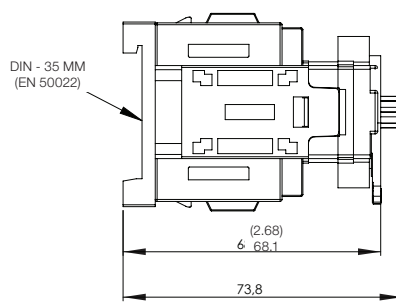
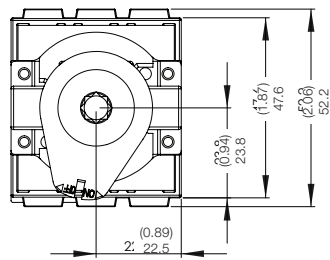


Neutral Pole

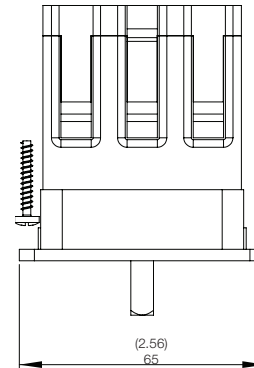
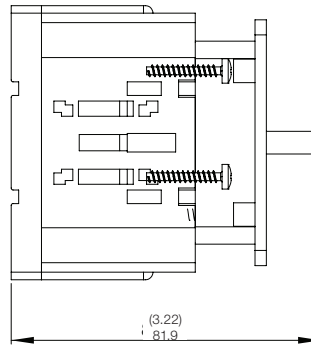
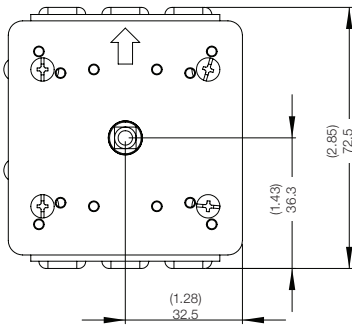
Disconnect Switches – MSW Series

Disconnect Switches for Panel Door Mounting

Dimensions MSW25...40P-3

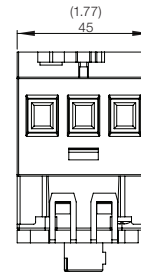
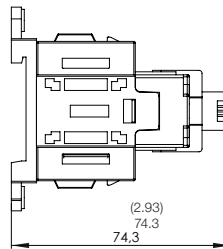
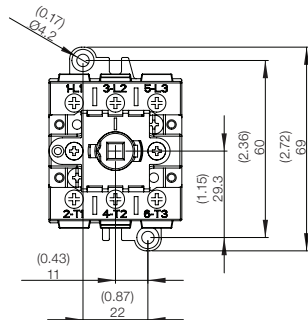


MSW63...80P-3

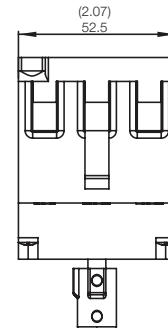
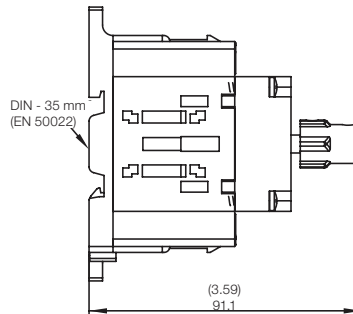
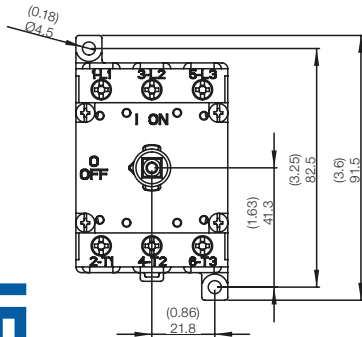


Disconnect Switches for Base Mounting

MSW25...40B-3



MSW63...80B-3



WEG Electric Corp.
 6655 Sugarloaf Pkwy.
 Duluth, GA 30097
 Phone: 1-800-ASK-4WEG
www.weg.net